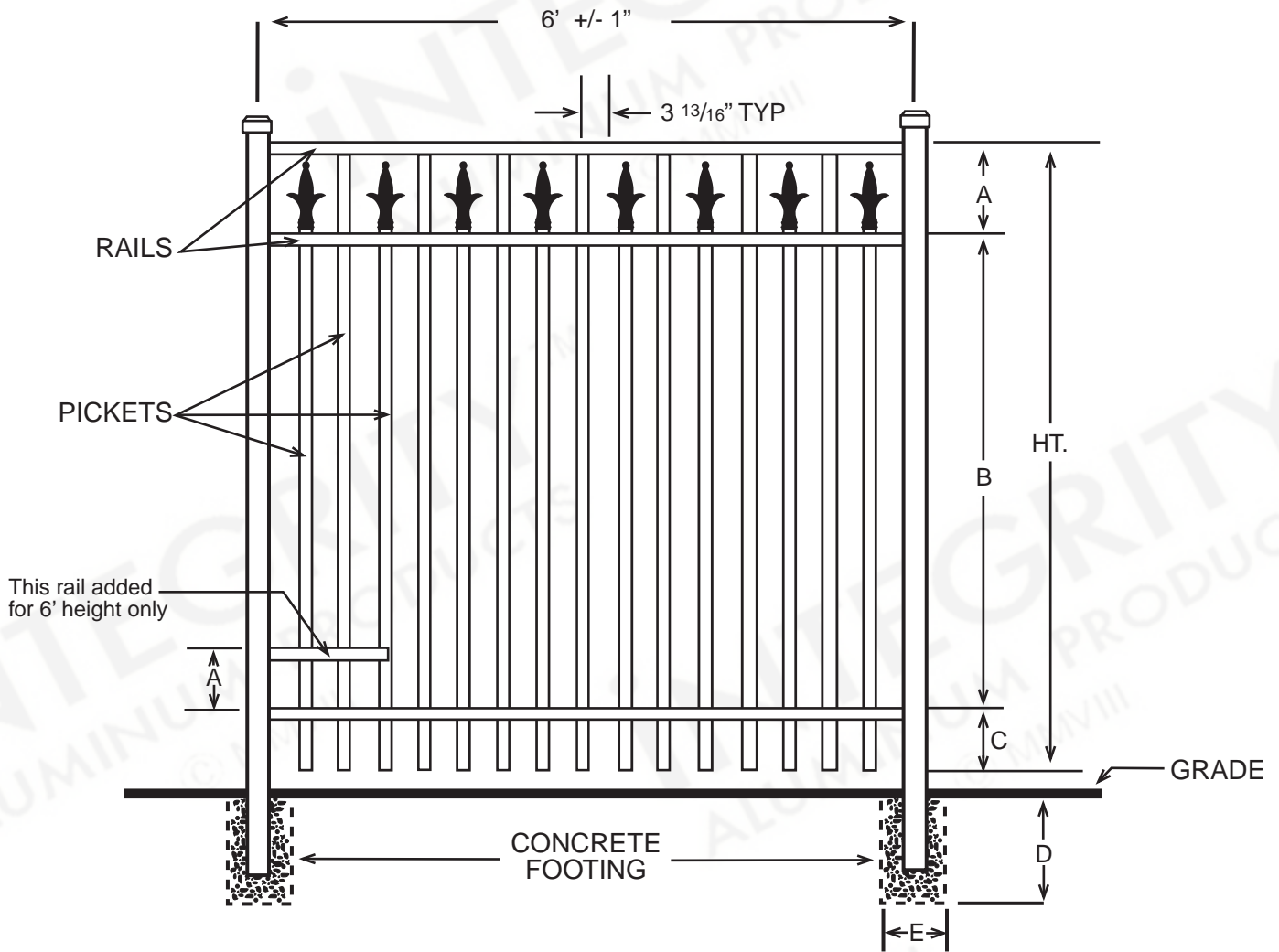


# INTEGRITY™

ALUMINUM PRODUCTS

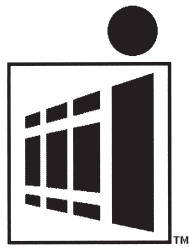
800.762.8876



## NEW ORLEANS™ CLASSIC

DIMENSIONS					
HT	A	B	C	D	E
3'	6"	24½"	5½"	Per Local Code	
3½'	6"	30½"	5½"	Per Local Code	
4'	6"	36½"	5½"	Per Local Code	
5'	6"	48½"	5½"	Per Local Code	
6'	6"	60½"	5½"	Per Local Code	
All Dimensions Are Nominal					

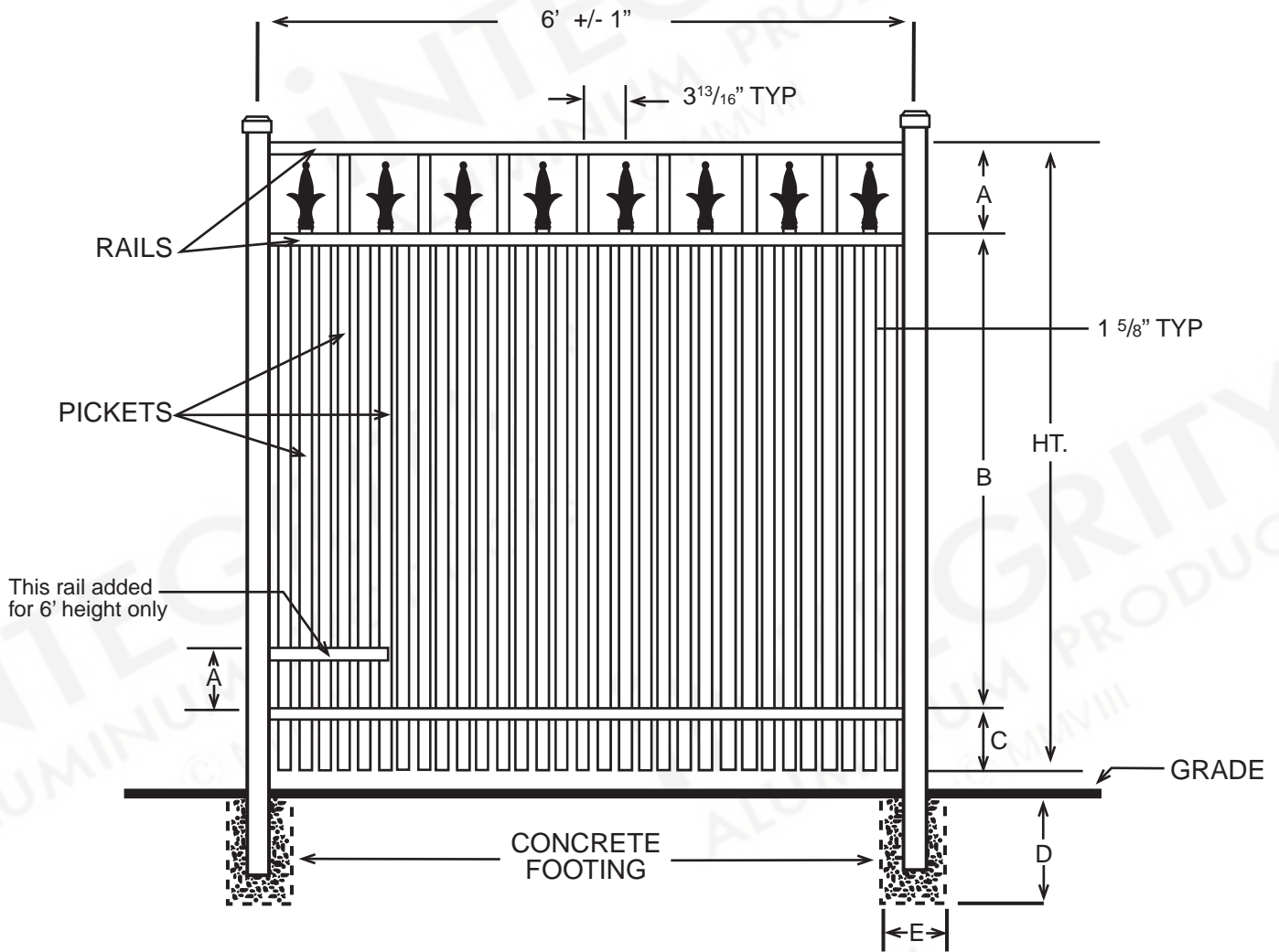
SPECIFICATIONS RESIDENTIAL	
Posts Available	2" x 2" x .060 Wall 2" x 2" x .080 Wall 2" x 2" x .125 Wall 2½" X 2½" X .100 Wall
Horizontal Rails Side Walls Top Walls	1⅛" x 1" .082" .062"
Pickets Picket Spacing	⅝" x ⅝" x .050 Wall 3 <sup>13</sup> / <sub>16</sub> "
Heights Available	3, 3½, 4, 5 & 6 Ft.



# INTEGRITY™

## ALUMINUM PRODUCTS

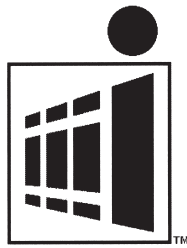
800.762.8876



## NEW ORLEANS™ CLASSIC EXTREME

DIMENSIONS					
HT	A	B	C	D	E
3'	6"	24½"	5½"	Per Local Code	
3½'	6"	30½"	5½"	Per Local Code	
4'	6"	36½"	5½"	Per Local Code	
5'	6"	48½"	5½"	Per Local Code	
6'	6"	60½"	5½"	Per Local Code	
All Dimensions Are Nominal					

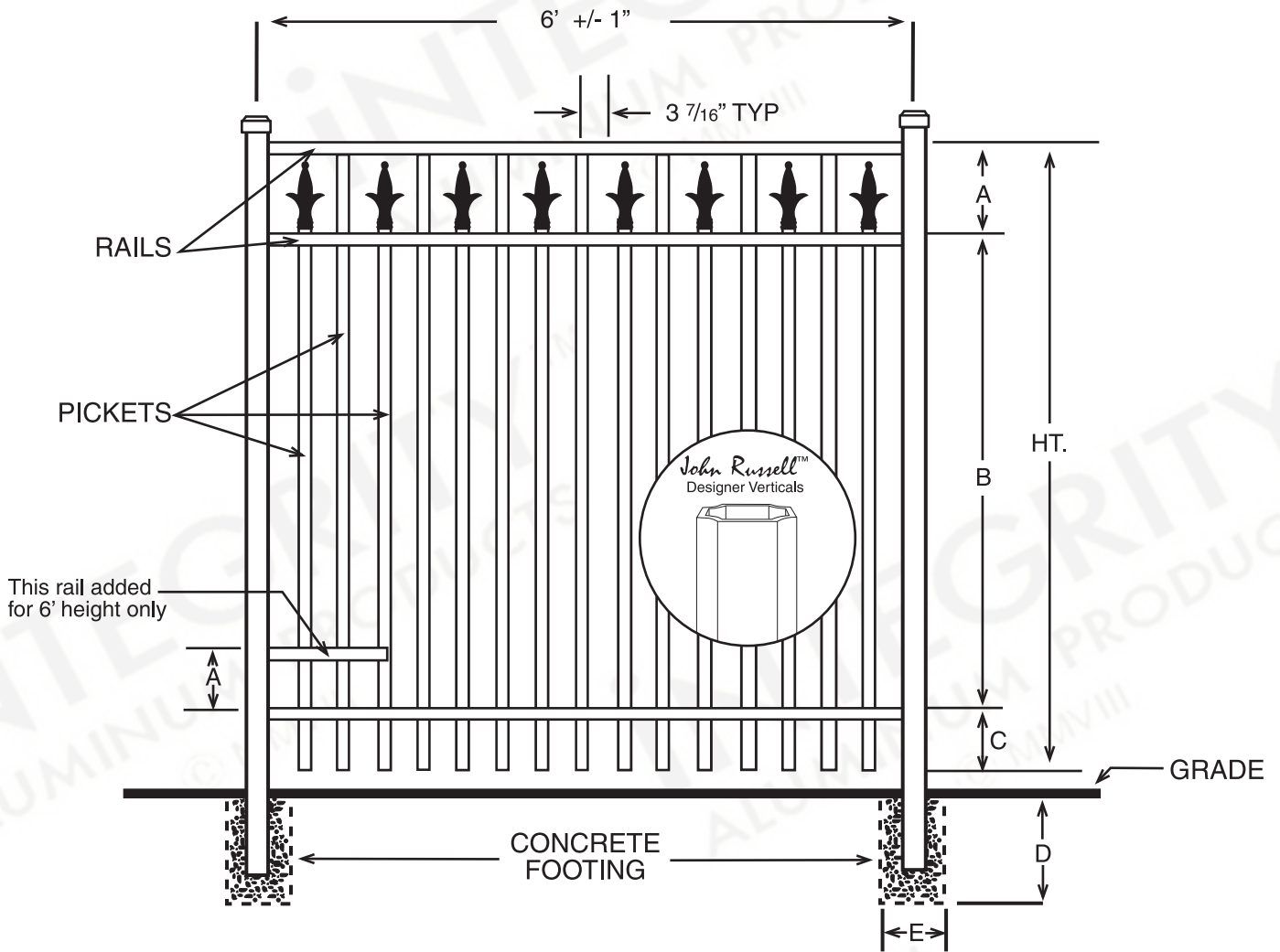
SPECIFICATIONS RESIDENTIAL	
Posts Available	2" x 2" x .060 Wall 2" x 2" x .080 Wall 2" x 2" x .125 Wall 2½" X 2½" X .100 Wall
Horizontal Rails Side Walls Top Walls	1⅛" x 1" .082" .062"
Pickets Picket Spacing	⅝" x ⅝" x .050 Wall 1⅝"
Heights Available	3, 3½, 4, 5 & 6 Ft.



# INTEGRITY™

ALUMINUM PRODUCTS

800.762.8876

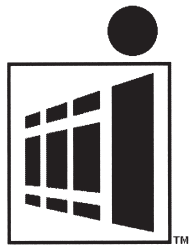


## NEW ORLEANS™

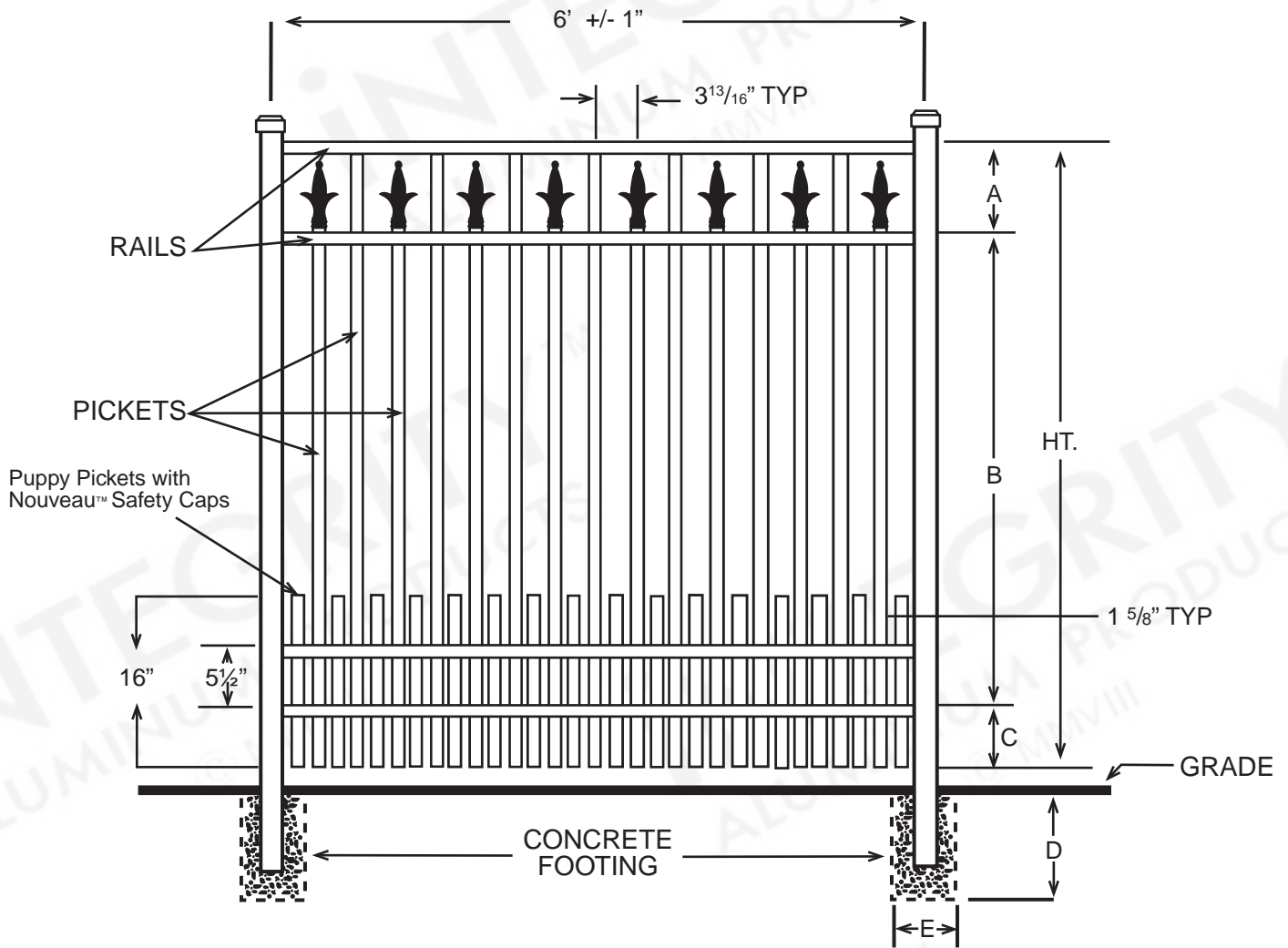
John Russell™ Designer Verticals

DIMENSIONS					
HT	A	B	C	D	E
3'	6"	24½"	5½"	Per Local Code	
3½'	6"	30½"	5½"	Per Local Code	
4'	6"	36½"	5½"	Per Local Code	
5'	6"	48½"	5½"	Per Local Code	
6'	6"	60½"	5½"	Per Local Code	
All Dimensions Are Nominal					

SPECIFICATIONS DESIGNER CLASSIC	
Posts Available	2" x 2" x .060 Wall 2" x 2" x .080 Wall 2" x 2" x .125 Wall 2½" X 2½" X .100 Wall
Horizontal Rails Side Walls Top Walls	1⅛" x 1" .082" .062"
Pickets Picket Spacing	1" x 5⁄8" x .062 Wall 3⅞"
Heights Available	3, 3½, 4, 5 & 6 Ft.



**iNTEGRITY™**  
 ALUMINUM PRODUCTS  
 800.762.8876



## NEW ORLEANS™ CLASSIC w/ PUPPY PICKETS

DIMENSIONS					
HT	A	B	C	D	E
3'	6"	24½"	5½"	Per Local Code	
3½'	6"	30½"	5½"	Per Local Code	
4'	6"	36½"	5½"	Per Local Code	
5'	6"	48½"	5½"	Per Local Code	
6'	6"	60½"	5½"	Per Local Code	
All Dimensions Are Nominal					

SPECIFICATIONS RESIDENTIAL	
Posts Available	2" x 2" x .060 Wall 2" x 2" x .080 Wall 2" x 2" x .125 Wall 2½" X 2½" X .100 Wall
Horizontal Rails Side Walls Top Walls	1⅛" x 1" .082" .062"
Pickets Picket Spacing	⅝" x ⅝" x .050 Wall 3⅜" and 1⅝"
Heights Available	3, 3½, 4, 5 & 6 Ft.